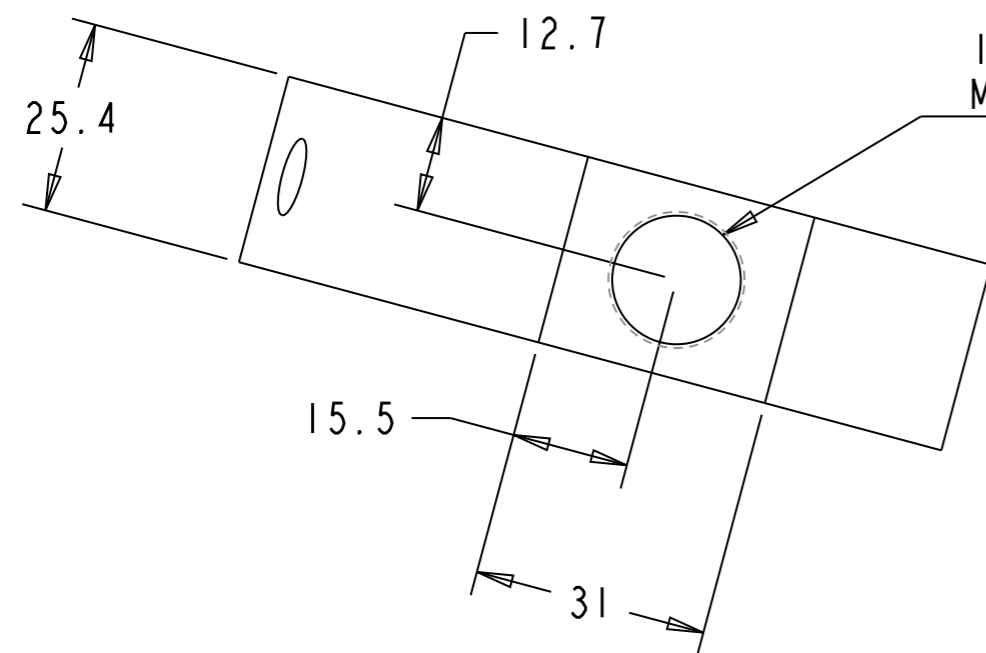
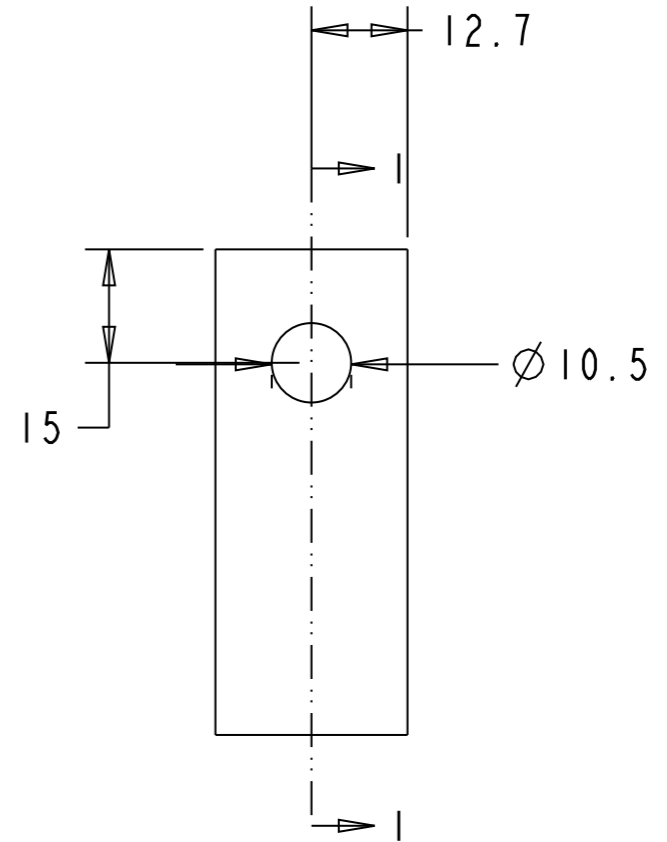


SECTION 1-1



17mm DRILL THRU
M18x1 ISO (FINE) TAP THRU

Deferred Procrastination co.uk

www.deferredprocrastination.co.uk

Project: Atomic Duck

Description: Front Steering Upright

Part Number: A002_P002_R002 Revision: -

Scale: 1.000 CAD File Name: A002_P002_R002 Sheet: 1/1

Material: Aluminium 6061/6082-T6	
Finish: -	
	Third-angle Projection
Tolerances are ±0.1mm, ±0.5deg, dimensions are in millimeters and angles are in degrees unless otherwise stated	